

WolfLite Rechargeable Safety Handlamp H-251ALED

Operation and Maintenance Instructions



EU Declaration of Conformity

This product meets all relevant provisions of the 2014/34/EU Explosive Atmospheres (ATEX Equipment) Directive by virtue of the issued EU type examination certificate, demonstrating compliance with all relevant harmonised standards and essential health and safety requirements.

The WolfLite H-251ALED is a self-contained rechargeable safety handlamp, fitted with a H-88 2-part LED Module, powered by a 4V, 5Ah sealed lead acid battery pack with integral intrinsic safety protection. The WolfLite H-251ALED body is moulded in high impact strength anti-static plastic.

Approval Code:

II 2GD Ex ib IIC T4 Gb
Ex ib IIB T170°C Db IP66
-10°C ≤ Ta ≤ 40°C

Approved as Group II, Category 2 apparatus for use in zones 1 and 2, potentially explosive gases, vapours and mists where T4 temperature class permits, and zone 21 and 22 potentially explosive dusts where the T170°C maximum surface temperature and IIIA and IIB dust groups permits.

Notified Body: SGS FIMKO OY, P.O. Box 30 (Särkiniementie 3) 00211 HELSINKI, Finland.

Notified body number: 0598

EU Type examination certificate: BAS00ATEX2176

Harmonised standards applied: EN IEC 60079-0:2018, EN60079-11:2012.

Ingress protection level: IP66 to EN 60529:1992, do not immerse in water.

This declaration is issued under the sole responsibility of Wolf Safety Lamp Company.

Alex Jackson - Managing Director
Wolf Safety Lamp Company Ltd.
Sheffield, S8 0YA, UK
Dated 01 August 2021

Use of WolfLite H-251ALED

A damaged WolfLite Handlamp should be withdrawn, inspected and repaired in accordance with these instructions, before being put back into service.

The WolfLite Handlamp must not be opened in the hazardous area.

Before first use, charge battery for 12 hours.

The battery. The H-66 battery pack utilises a two cell lead acid system with a life of up to 500 charge/discharge cycles. This is encapsulated with an electronic circuit providing short circuit protection, deep discharge protection and mains charger failure illumination. Observe the following:

Charge before first use; recharge immediately when flat; recharge every six months when stored.

Note: Dangerous Goods Regulations, Hazardous Materials Regulations, Restricted Articles regulations: The US Dept of Transport, IATA, and CAA declare these batteries are "not regulated".

Do not recharge other than from Wolf Chargers.

Do not cut, crush, puncture or incinerate.

Dispose of only via a licensed disposal agency.

Photobiological safety to EN 62471:2008

WolfLite Rechargeable Handlamp H-251ALED: Risk Group 2
CAUTION: Possibly hazardous optical radiation emitted from this product. Do not stare at operating lamp. May be harmful to the eye.

Charging

WolfLite chargers must not be used in Ex areas.

Charging WolfLite Handlamp H-251ALED

The battery is charged within the lamp body. The H-251ALED can be switched 'ON' when charging, the lamp will not illuminate, but is set for standby power failure mode and will automatically illuminate should power to the charger be cut. Indicators show the state of charge of the battery. Red only indicates the Lamp has not made contact, the Lamp must be pushed firmly until latched in position. Green indicates main charge. Green and Red indicates fully charged. (Flashing of indicators may be observed between main and full charge). A full charge will last up to 18 hours.

A fully discharged battery must be charged immediately to avoid damage; the charger contacts are of extra low voltage output and short circuit protected.

Handlamp Chargers for H-251ALED

Two types of Handlamp Charger are available.

Both chargers are fully automatic, stepping to 'Standby', a continuous safe tricklecharge after the main charge is completed.

Charger operating ambient: +10°C to +25°C.

IP20 - Indoor use only.

WolfLite Charger C-251HV is for mains AC input voltages of 200-240 volts at 50-60 Hz (Offshore platform voltages of 254 volts at 60 Hz), user switchable to 100-120 volts at 50-60 Hz. Failure to select the correct voltage may cause damage. Charger achieves 90% recharge in 6/7 hours. Only fit manufacturer's specified fuse. Chargers are fitted with approved plugs, refer to sales literature for details.

WolfLite Charger C-251LV is suitable for use from DC supplies of 12 to 32 volts. A 12V recharge from a 12 volt supply takes 20/24 hours; from a 24 volt supply full charge is achieved in 10/12 hours. The two core flex is red: Positive and red with black tracer: Negative.

Standby continuous long-term charging

On standby continuous trickle charge a 'detailed' inspection of the handlamp should be carried out every 12 months, in accordance with IEC 60079-17. Particular attention should be given to evidence of terminal corrosion and resultant acid droplets that might begin to occur after 3-5 years on standby charge. If such evidence occurs, the battery should be replaced in accordance with these instructions. Battery life can be extended by up to 10 years with scheduled charging management. A typical scheduled example is 2 weeks on trickle charge, followed by 2-3 months off.

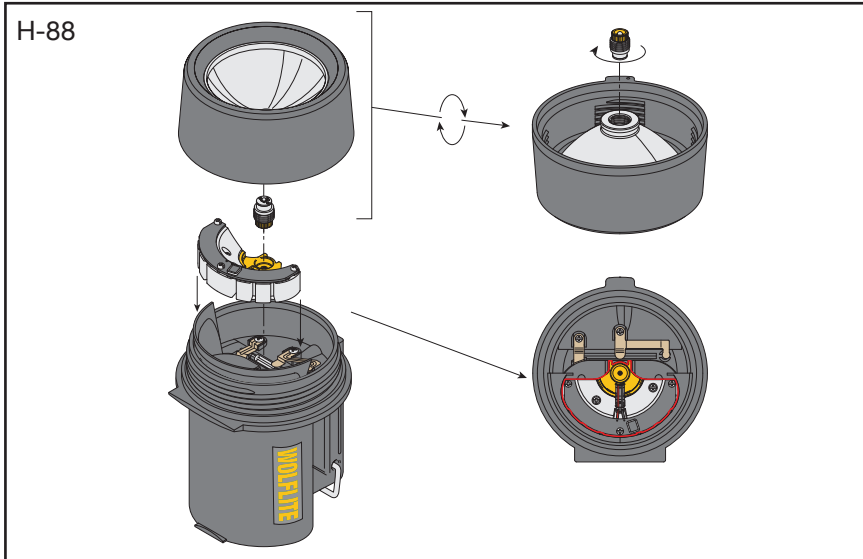
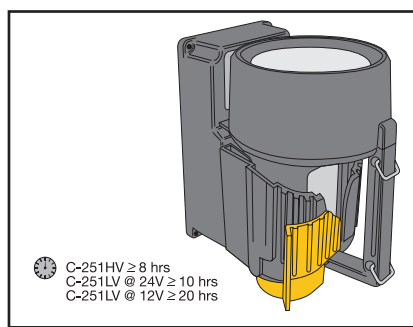
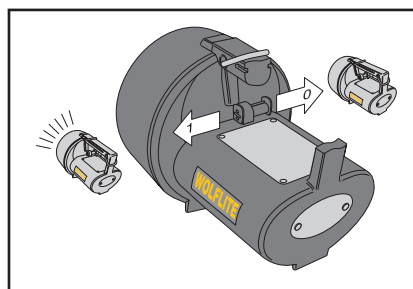
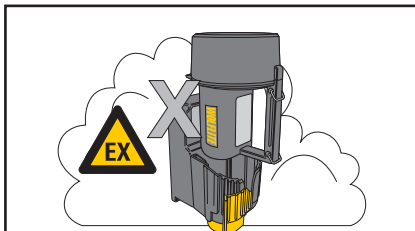
WARNING:

THE WOLFLITE CHARGERS ARE DESIGNED FOR CHARGING WOLF HANDLAMPS ONLY - NO OTHER BATTERIES OR BATTERY OPERATED DEVICES ARE TO BE USED.

The Wolf Safety Lamp Co. Ltd has a policy of continuous product improvement. Changes in design details may be made without prior notice.

Repairs only to be carried out by competent persons.

EN IEC 60079-17



WolfLite Wiederaufladbare Sicherheitshandlampe H-251ALED

Gebrauchs- und Wartungsinweise



EU Konformitätserklärung

Dieses Produkt erfüllt alle relevanten Anforderungen der 2014/34/EU Richtlinien von explosionsgefährdeten Umgebungen (ATEX-Geräte), belegt durch die ausgestellte EU-Baumusterprüfbescheinigung, die Übereinstimmung mit relevanten harmonisierten Normen und grundlegenden Sicherheits- und Gesundheitsanforderungen darlegt.

Die WolfLite H-251ALED ist eine autarke, wiederaufladbare Sicherheitshandlampe mit einer H-88 2-teiliges LED-Modul, betrieben von ei-nem 4V, 5Ah abgedichteter Bleiakku mit ein-gebautem Eigensicherheitschutz. Das WolfLite H-251ALED-Gehäuse ist in hochschlagähm an-lystatischem Kunststoff gekapselt.

Zulassungskennzeichen:

II 2GD Ex ib IIC T4 Gb
Ex ib IIB T170°C Db IP66
-10°C ≤ Ta ≤ 40°C

Zugelassen gemäß Apparategruppe II, Kategorie 2, für den Einsatz in Zonen 1 und 2, potenziell explosionsgefährdeten Gasen, Dämpfen und Dünsten in Übereinstimmung mit Temperatursklasse T4, und Zone 21 und 22, potenziell explosionsgefährdeter Staub in Übereinstimmung mit der maximalen Oberflächen-temperatur von 170°C und IIIA und IIB Staubgruppen.

Benannte Stelle: SGS FIMKO OY, P.O. Box 30 (Särkiniementie 3) 00211 HELSINKI, Finland; Nummer der benannten Stelle: 0598

EU-Baumusterprüfzertifikat: BAS00ATEX2176

Geltende harmonisierte Normen: EN IEC 60079-0:2018, EN60079-11:2012.

Schutzklasse: IP66 nach EN 60529:1992, nicht in Wasser eintauchen.

Diese Erklärung wird unter der alleinigen Verantwortung von Wolf Safety Lamp Company.

Alex Jackson - Geschäftsführer, für Wolf Safety Lamp Company Ltd
Sheffield, S8 0YA, UK
Termin: 01-08-2021

Gebrauchshinweise für die WolfLite H-251ALED

Eine beschädigte WolfLite Handlampe muss gemäß diesen Anweisungen aus dem Verkehr gezogen, geprüft und repariert werden, bevor sie wieder in Betrieb genommen wird.

Die WolfLite Handlampe darf in explosionsgefährdeten Bereichen nicht geöffnet werden.

Vor dem ersten Gebrauch mindestens 12 Stunden lang Batterie aufladen.

Die Batterie. Die H-66-Batterieeinheit basiert auf einem zweizelligen Bleiakku mit einer Lebensdauer von bis zu 500 vollen Lade-/Entladezyklen.

Sie beinhaltet eine integrierte Batterieschutz-schaltung zur Kurzschlusssicherung, Niederspannungsabschaltung und Lampe zur Meldung eines eventuellen Ladegeräteausfalls. Folgende Punkte sind zu beachten:

Vor dem ersten Gebrauch laden; falls leer, sofort aufladen, bei Lageraufbewahrung alle sechs Monate aufladen.

Anmerkung: DOP-, HMR- und RAR-Bedingungen für den Transport gefährlicher Güter: Laut US Dept of Transport, IATA und CAA sind diese Batterien als „nicht reguliert“ eingestuft.

Nur mit Wolf-Ladegeräten laden. Nicht off-nen, zerquetschen, durchbohren oder ver-brennen. Altbatterien sind Sondermüll und müssen gemäß den aktuellen Vorschriften entsorgt werden.

Photobiologische Sicherheit gemäß EN 62471:2008

Aufladbare Taschenlampe H-251ALED: Risiko-Gruppe 2
VORSICHT: Möglicherweise werden gefährliche optische Strahlung von diesem Produkt abgegeben. Nicht in die angeschaltete Handlampe starren. Kann den Augen schaden.

Reparaturen dürfen nur von qualifizierten und fachkundigen Personen ausgeführt werden.

Approval details and Spares Parts List

IECEx Certificate Scheme

IECEx Scheme Certificate Number: IECEx BAS16.0076

Code: Ex ib IIC T4 Gb IP66
Ex ib IIB T170°C Db
-10°C ≤ Ta ≤ 40°C

IEC Standards Applied: IEC 60079-0:2017, IEC 60079-11:2011

Ingress Protection Level: IP66 to IEC 60529:2001

| Order Code | Description |
|------------|----------------------------------|
| A-87 | Washer (each) |
| H-02 | O' ring seal |
| H-03 | Magnet switch complete |
| H-09 | Reed switch |
| H-11 | Sleeve for shorting link |
| H-12K | Shorting link contact kit |
| H-13 | Battery contact |
| H-14 | Screw for contacts (each) |
| H-15A | Body - complete with shown items |
| H-016E | Charging stud (each) |
| H-17A | Lens ring with lock stop |
| H-18Y | Washer for disc |
| H-19 | Glass disc toughened |
| H-21A | Reflector |
| H-22 | Reflector retaining ring |
| H-24 | Reflector distance piece |
| H-25 | LED socket |

Lloyds Type Approval



Certificate: LR214409577A

When ordering spares for WolfLite Handlamps, please specify batch code on label, to enable correct parts to be supplied.

UK Declaration of Conformity

The H-251ALED meets all meets all the statutory requirements of the Equipment and Protective Systems Intended for Use in Potentially Explosive Atmospheres Regulations 2016, UKSI 2016/1107 as amended by UKSI 2019/696 by virtue of the issued UKEX type examination certificate, demonstrating compliance with all relevant designated standards and essential health and safety requirements.

Approval code:

II 2GD Ex ib IIC T4 Gb
Ex ib IIB T170°C Db IP66
-10°C ≤ Ta ≤ 40°C

Approved Body: SGS Baseefa Ltd, Rockhead Business Park, Staden Lane, Buxton, SK17 9RZ, UK.

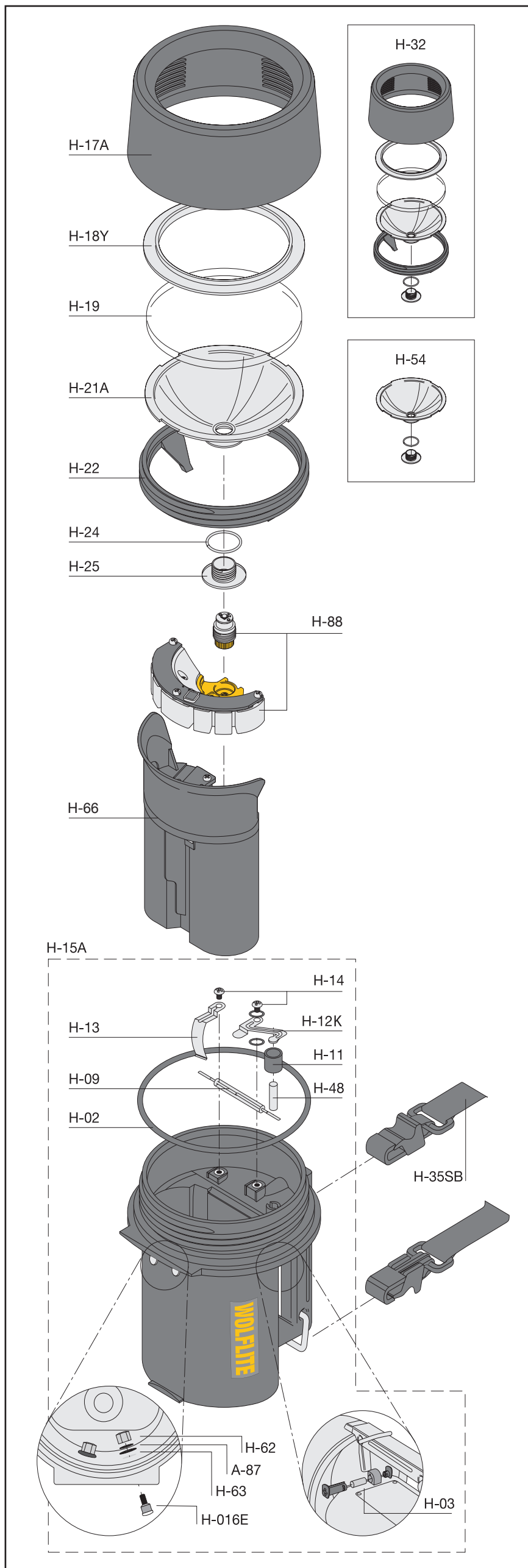
Approval body number: 1180.

UK Type examination certificate: BAS21UKEX0359

Designated Standards Applied: EN IEC 60079-0:2018, EN 60079-11:2012

This declaration is issued under the sole responsibility of Wolf Safety Lamp Company.

Alex Jackson - Managing Director
Wolf Safety Lamp Company
Sheffield, S8 0YA, UK
Dated: 01 August 2021



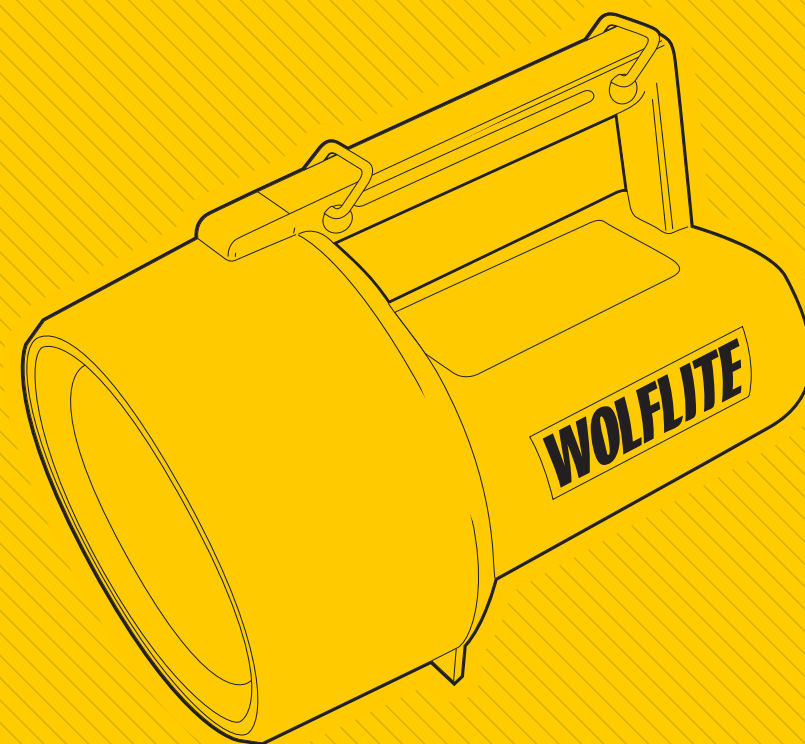
WOLFLITE H-251ALED



RECHARGEABLE SAFETY HANDLAMP

ATEX, UKEX and IECEx certified for explosive atmospheres

Operation and Maintenance Instructions



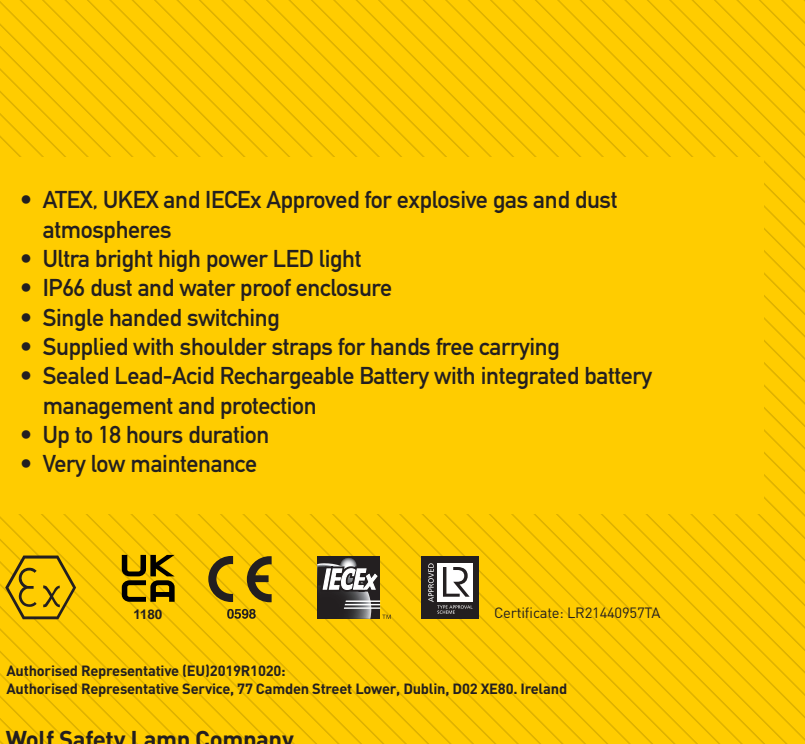
WOLFLITE H-251ALED



RECHARGEABLE SAFETY HANDLAMP

ATEX, UKEX and IECEx certified for explosive atmospheres

Operation and Maintenance Instructions



- ATEX, UKEX and IECEx Approved for explosive gas and dust atmospheres
- Ultra bright high power LED light
- IP66 dust and water proof enclosure
- Single handed switching
- Supplied with shoulder straps for hands free carrying
- Sealed Lead-Acid Rechargeable Battery with integrated battery management and protection
- Up to 18 hours duration
- Very low maintenance



Certificate: LR214409577A

Authorised Representative (EU)20191020:
Authorised Representative Service, 77 Camden Street Lower, Dublin, D02 XE80, Ireland

Wolf Safety Lamp Company

Saxon Road Works,
Sheffield S8 0YA, England
Tel: +44 114 255 1051
E-mail: info@wolfsafety.com
Website: www.wolfsafety.com

H-135 issue 12
DF589
MMD/MM/11.21/2K



